

Threaded plugs

Aluminium, up to 180 °C

SPECIFICATION

Types

- Type **OS**: neutral, blank
- Type **OSS**: neutral, black anodized
- Type **ES**: with DIN re-fill symbol, blank
- Type **ESS**: with DIN re-fill symbol, black anodized
- Type **AS**: with DIN drain symbol, blank
- Type **ASS**: with DIN drain symbol, black anodized

Identification no.

- No. **1**: without vent drilling
- No. **2**: with vent drilling

Aluminium

- Type OS, ES and AS: fine turned, blank
- Type OSS, ESS and ASS: fine turned, black anodized
- Symbols laser engraved

temperature resistant up to **180 °C**

Sealing ring rubber FPM (Viton®)

Identification by not black finish of seal



INFORMATION

Threaded plugs GN 742 are fitted with outside diameter d_1 to suit screw holes with BSP threads to DIN 3852.

The sealing ring is bedded into a undercut groove which prevents it from dropping out and at the same time stops it from being extruded when tightening the cap.

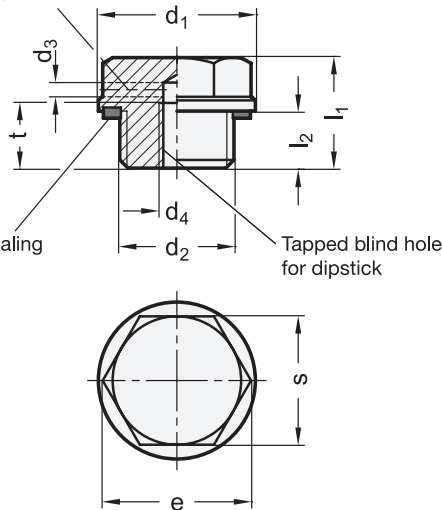
ON REQUEST

- with dipstick

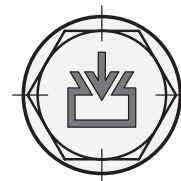
TECHNICAL INFORMATION

- Elastomer characteristics (see page A32)
- Plastic characteristics (see page A2)

Air vent drilling



Re-fill symbol



Drain symbol



* Complete with type index of the Threaded plugs

OS OSS ES ESS AS ASS

GN 742

Description	d1	d2	d3	d4	l1	l2	s	e ≈	t min.	⚖
GN 742-19-M14x1,5-*1	19	M 14 x 1,5	2	M 5	15,5	8	15	17,3	8	7
GN 742-19-M14x1,5-*2	19	M 14 x 1,5	2	M 5	15,5	8	15	17,3	8	7
GN 742-22-M16x1,5-*1	22	M 16 x 1,5	2	M 5	15,5	8	18	20,8	8	10
GN 742-22-M16x1,5-*2	22	M 16 x 1,5	2	M 5	15,5	8	18	20,8	8	10
GN 742-26-M20x1,5-*1	26	M 20 x 1,5	2	M 5	16	8,5	21	24,3	8	15
GN 742-26-M20x1,5-*2	26	M 20 x 1,5	2	M 5	16	8,5	21	24,3	8	15
GN 742-32-M26x1,5-*1	32	M 26 x 1,5	2	M 5	17	9	27	31,2	8	27
GN 742-32-M26x1,5-*2	32	M 26 x 1,5	2	M 5	17	9	27	31,2	8	27
GN 742-32-M27x1,5-*1	32	M 27 x 1,5	2	M 5	17	9	27	31,2	8	27
GN 742-32-M27x1,5-*2	32	M 27 x 1,5	2	M 5	17	9	27	31,2	8	27
GN 742-40-M33x1,5-*1	40	M 33 x 1,5	2	M 5	19,5	11	32	37	8	50
GN 742-40-M33x1,5-*2	40	M 33 x 1,5	2	M 5	19,5	11	32	37	8	50
GN 742-50-M40x1,5-*1	50	M 40 x 1,5	2	M 5	21	12	41	47,3	8	2
GN 742-50-M40x1,5-*2	50	M 40 x 1,5	2	M 5	21	12	41	47,3	8	2
GN 742-50-M42x1,5-*1	50	M 42 x 1,5	2	M 5	21	12	41	47,3	8	2
GN 742-50-M42x1,5-*2	50	M 42 x 1,5	2	M 5	21	12	41	47,3	8	2
GN 742-50-M42x2-*1	50	M 42 x 2	2	M 5	21	12	41	47,3	8	2
GN 742-50-M42x2-*2	50	M 42 x 2	2	M 5	21	12	41	47,3	8	2
GN 742-19-G1/4-*1	19	G 1/4	2	M 5	15,5	8	15	17,3	8	7
GN 742-19-G1/4-*2	19	G 1/4	2	M 5	15,5	8	15	17,3	8	7
GN 742-22-G3/8-*1	22	G 3/8	2	M 5	15,5	8	18	20,8	8	10
GN 742-22-G3/8-*2	22	G 3/8	2	M 5	15,5	8	18	20,8	8	10
GN 742-26-G1/2-*1	26	G 1/2	2	M 5	16	8,5	21	24,3	8	18
GN 742-26-G1/2-*2	26	G 1/2	2	M 5	16	8,5	21	24,3	8	18
GN 742-32-G3/4-*1	32	G 3/4	2	M 5	17	9	27	31,2	8	26
GN 742-32-G3/4-*2	32	G 3/4	2	M 5	17	9	27	31,2	8	26
GN 742-40-G1-*1	40	G 1	2	M 5	19,5	11	32	37	8	47
GN 742-40-G1-*2	40	G 1	2	M 5	19,5	11	32	37	8	47
GN 742-50-G11/4-*1	50	G 11/4	2	M 5	21	12	41	47,3	8	80
GN 742-50-G11/4-*2	50	G 11/4	2	M 5	21	12	41	47,3	8	80
GN 742-60-G11/2-*1	60	G 11/2	2	M 5	22	13	50	57,7	8	120
GN 742-60-G11/2-*2	60	G 11/2	2	M 5	22	13	50	57,7	8	120

Weight OS

